



Lifting Range

At A Glance

- ✓ 3:1 WLL - safely lift ferrous material
- ✓ Lifts up to 4400lb (2000kg) Flat Plate
- ✓ Lifts up to 1760lb (800kg) Round Bar
- ✓ Lever to manually Switch 'On' and 'Off'
- ✓ Switch has Locking Safety Mechanism

Our Ultralift E lifter range is a performance lifter for safely lifting ferrous plate and round bar, with a 3:1 WLL design and a Locking Safety Mechanism for the manual lever to make the lift safer.

The performance of these units is always application specific. Never exceed the WLL (Working Load Limit) - formerly the SWL (Safe Working Load). The Safety Factor for lifting is 3:1 for this range. Always use LOLER, PUWER, ASME B30.20 and H&S advice.



The Ultralift E range is used to lift ferrous sheets and ferrous round bar. Depending on the version, the Ultralift E can be used on minimum ferrous plate thickness from 0.3in thick (bearing in mind that the thinner the plate the less the holding force achieved will be). For safely lifting thinner plate and sheet, please use the Ultralift TP range. The WLL varies from up to 220lb (100kg) for the ULE0220 rising up to 4400lb (2000kg) for the ULE4400 when used on ferrous flat plate. The WLL varies from up to 110lb (50kg) for the ULE0220 (3.1in maximum diameter) rising up to 1760lb (800kg) for the ULE4400 (24in maximum diameter) when used on ferrous round bar (diameter limits apply for each version). Please note that the WLL varies with sheet thickness and with diameter. These figures are based on lifting high quality mild steel of the stated sheet thickness or diameter with no air gap in the way (see table on next page for further details). The Lifting Performance achieved is application specific.

Maintain Health & Safety at all times. Perform a small safety lift first. Lifting performance could vary depending on the application. Performance will vary with air gap, steel shape (steel thickness and/or diameter), steel type (permeability), surface finish and temperature. Lift loads vertically with load not unbalanced, avoiding any sudden movements. Thinner and wider materials may bend/flex risking peel and lift failure - use spreader beams for wider loads and for loads that bend/flex. Do not use any lifter if it appears to be damaged. Inspect the lifter at least annually. We can inspect and service/repair our Lifters for you.

Benefits

- No Power Supply required
- 3:1 Safety Factor for lifting
- Lifts Ferrous Plate up to 4400lb (2000kg)
- Lifts Ferrous Round Bar up to 1760lb (800kg)
- Locking switch handle safety mechanism

Materials

- | | |
|-------------------|---|
| Magnetic Material | Proprietary Permanent Magnet grade material |
| Other Parts | Various, including Mild Steel, Aluminium, Plastic |

Performance

- | | |
|----------------------|---|
| Magnetic Performance | Up to 4400lb (2000kg) WLL (value varies with thickness and/or diameter) - see next page |
| Magnet Type | Permanent Magnet Lifter |
| Temperature Range | -10°C to +40°C (14°F to +104°F) |

Maintenance

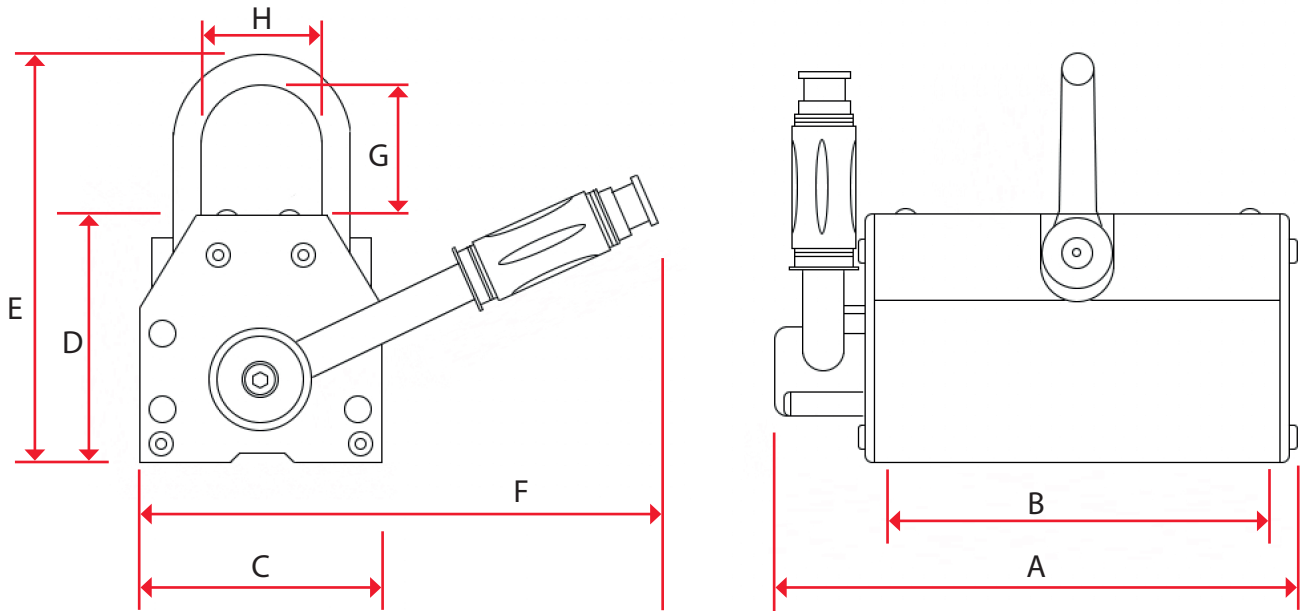
- As part of LOLER, PUWER, ASME B30.20 and H&S advice, you need to regularly inspect Lifters to ensure they are not damaged and are suitable for lifting the parts
- Annual inspection is a minimum requirement
- We can inspect and service / repair our Lifters for you

Suitability

- | | |
|-------------------|---|
| Suitable Products | Ferrous materials (e.g. mild steel) |
| Suitable Location | Example - factory shopfloor / production line |

Alternatives

- Ultralift+ (maximum safety lifting) for thicker ferrous plate and round bar
- Ultralift TP for thinner ferrous plate



Product Number NA	Product Number UK	Dimensions (in)								Self Weight (lbs)	Flat Plate/Section WLL* (lbs)	Flat Plate/Section Minimum Thickness (in)	Maximum Material Length (in)	Round Bar WLL* (lbs)	Round Bar Maximum Diameter (in)	Units per Pack
		A	B	C	D	E	F	G	H							
ULE0220	ULE0100	5.2	3.6	2.6	3.0	4.9	7.3	1.8	1.3	6.7	220	0.6	39.3	110	3.1	1
ULE0660	ULE0300	8.0	6.2	3.7	3.7	6.7	10.0	2.5	1.8	22.1	660	0.8	59.0	330	3.9	1
ULE1320	ULE0600	11.1	9.8	4.7	4.6	8.7	11.0	3.5	2.4	50.7	1320	1.2	78.7	660	5.5	1
ULE2200	ULE1000	13.8	12.1	5.4	5.5	10.6	12.2	4.3	3.1	86.0	2200	1.6	98.4	1100	7.0	1
ULE4400	ULE2000	17.4	14.9	6.4	6.7	12.2	16.1	4.7	3.6	163.1	4400	2.0	118.1	1980	11.8	1

* Please note that the Working Load Limit (WLL) is now used instead of Safe Working Load (SWL). The Lifting force values shown include the 3:1 safety factor and have been based on using thick high magnetic permeability steel with no air gaps. Air gaps, thinner materials and materials with lower magnetic permeability can all reduce the pull force a lifter can actually achieve. Please note that the achievable pull force is reduced when lifting thinner mild steel plate. Please note that the diameter of the round bar can affect the amount of lift that can be achieved. You must follow LOLER, PUWER, ASME B30.20 and H&S advice. You should always check for a downrate, factor in any downrate to then perform a safety lift, then perform a full lift only after a successful safety lift.

For further assistance, please contact sales@eclipsetoolsinc.com

Although we have made every attempt to provide accurate information, we do reserve the right to change any of the information in this document without notice.

We cannot accept any responsibility or liability for any errors or problems caused by using any of the information provided.

Conversions Guide:-

1kg ≈ 2.204lb ≈ 9.806N

1lb ≈ 0.453kg ≈ 4.448N

1N ≈ 0.101kg ≈ 0.224lb

10mm ≈ 0.393in (≈ 25/64in)

1in ≈ 25.4mm

(the above conversion values are rounded down)



FM 31278 EMS 616377