



## At A Glance

-  **Protection: Secondary**
-  **Feed Type: Gravity**
-  **Material Type: NdFeb**
-  **Cleaning Type: Manual**

**Our high intensity easy clean grid is very versatile and can be utilised in most powder and granulate applications for the removal of ferrous and para-magnetic contamination down to sub-micron size.**

These units can be manufactured to any size and with any number of rods to meet most application requirements.

The grid's low profile side frame allows these units to be installed into existing chute work or machinery where height is restricted. Easy clean grids can be cleaned in under fifteen seconds, so are of particular interest to those companies that run 24/7 operations or where downtime is minimal.

These grids can also be supplied in housings for ease of installation into existing process lines.



## Benefits

- Simple to install
- Removes micron sized contaminants
- Reduces 'spark' risk
- Meets audit requirements

## Performance

Magnetic Performance	7000 9000 and 11000 Gauss
Performance Reading	On tube surface
Magnet Grade	N35 & N45 – Inspected and confirmed via hysteresograph prior to use
Temperature	-4°F / +194°F

## Suitability

Suitable Products	Dry powders, granulates and liquids etc
Suitable Location	Any vertical or slightly angled process line

## Materials

Magnetic Material	Rare Earth Neodymium Iron Boron - (NdFeb)
Tubing	316 grade stainless steel
Other Parts	316 grade stainless steel
Swing Clamps	304 grade stainless steel
Surface Finish	Polished to 0.6µm

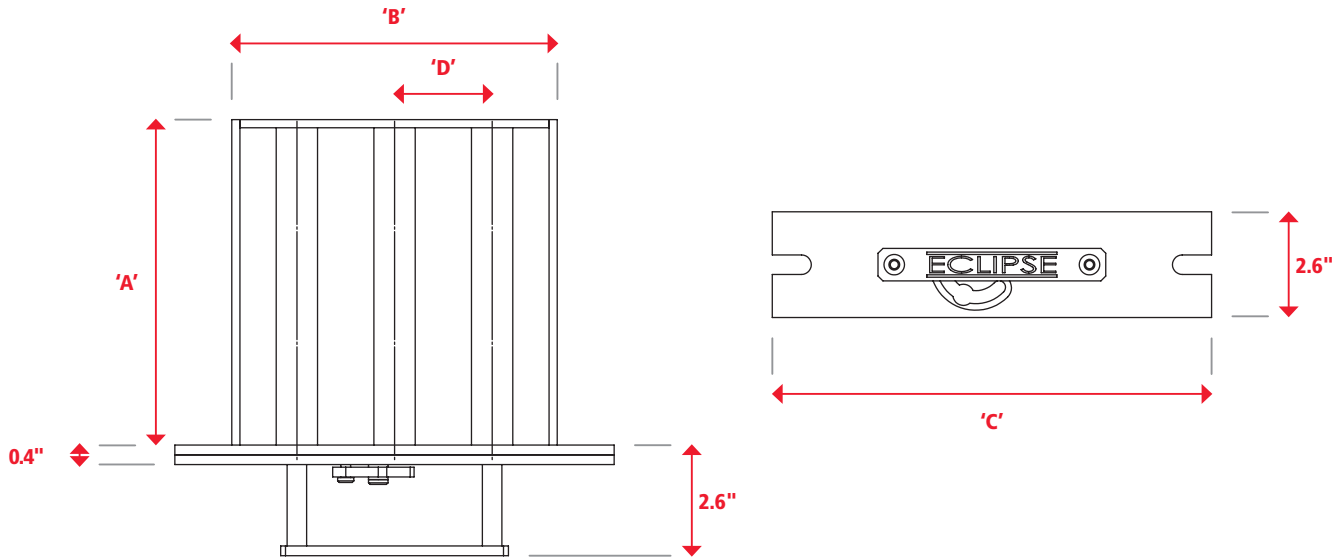
## Cleaning

Simply move the swing clamp to the 'open' position, pull the magnetic cores out of the stainless steel tube assembly and the contamination simply falls away. It is at this stage that all attracted contamination can be easily removed allowing for inspection or further analysis.

## Options

- Pharmaceutical specification
- Larger sizes available
- Safety relay switch
- ATEX certified
- Higher temperature versions available

# Easy Clean Grid



Part Number	Length A (inches)	Width B (inches)	Width C (inches)	Centres D (inches)	Number of Rods	Weight (lbs)
EC1515	5.9	5.9	8.7	2.4	2	8.4
EC2020	7.9	7.9	10.6	2.4	3	9.3
EC2525	9.8	9.8	12.6	2.2	4	15
EC3030	11.8	11.8	14.6	2.2	5	19
EC3535	13.8	13.8	16.5	2.2	6	26.5
EC4040	15.7	15.7	18.5	2.2	7	36
EC4545	17.7	17.7	20.5	2.2	8	46.5
EC5050	19.7	19.7	22.4	2.2	9	55
EC5555	21.7	21.7	24.4	2.2	10	65
EC6060	23.6	23.6	26.4	2.2	11	75.5

For non-standard sizes, please contact [sales@eclipsetoolsinc.com](mailto:sales@eclipsetoolsinc.com)

[www.eclipsetoolsinc.com](http://www.eclipsetoolsinc.com)

## Eclipse Tools North America Inc.

442 Millen Road, Unit 9, Stoney Creek, Ontario, L8E 6H2, Canada

T 1-800-260-2124 F 1-800-260-1410

[sales@eclipsetoolsinc.com](mailto:sales@eclipsetoolsinc.com) [www.eclipsetoolsinc.com](http://www.eclipsetoolsinc.com)

While every effort has been made to ensure the accuracy of the information in this publication please note that specifications may change without notice.



A world leader in magnetic technology

