

## At A Glance



Protection: Secondary



Feed Type: Gravity



Material Type: NdFeb



Cleaning Type: Automatic

**Our Auto-Rota Shuttle combines the benefits of our Auto-Shuttle and Rota-Grid unit in one. The Auto-Rota Shuttle enables screening of difficult bridging and or caking products 24/7 without the need for manual intervention.**

The system can even carry out a full clean without the need to stop the process, thereby enabling continuous production.

The unit is supplied with a pre-programmed PLC that can either work independently or connected to the central control rooms system for remote activation or monitoring etc. The full system remains air tight throughout normal operation making it suitable for environments where ATEX equipment is required.



## Benefits

- Reduces 'spark' risk
- Fully autonomous in operation
- Suitable for control room connection
- Removes sub-micron sized contaminants

## Performance

Magnetic Performance	7000, 9000 and 10000 Gauss
Performance Reading	On tube surface
Magnet Grade	N35 & N45 – Inspected and confirmed via hysteresograph prior to use
Temperature	23°F / +104°F
Pressure	+ / - 3psi

## Suitability

Suitable Products	Dry and semi-dry powders and granulates
Suitable Location	Any vertical process line

## Materials

Magnetic Material	Rare Earth Neodymium Iron Boron - (NdFeb)
Housing	316 grade stainless steel
Tubing	316 grade stainless steel
Other Parts	316 grade stainless steel
Sealing	Self adhered white foam
Surface Finish	Brushed internally / Polished externally to 1.2µm

## Cleaning

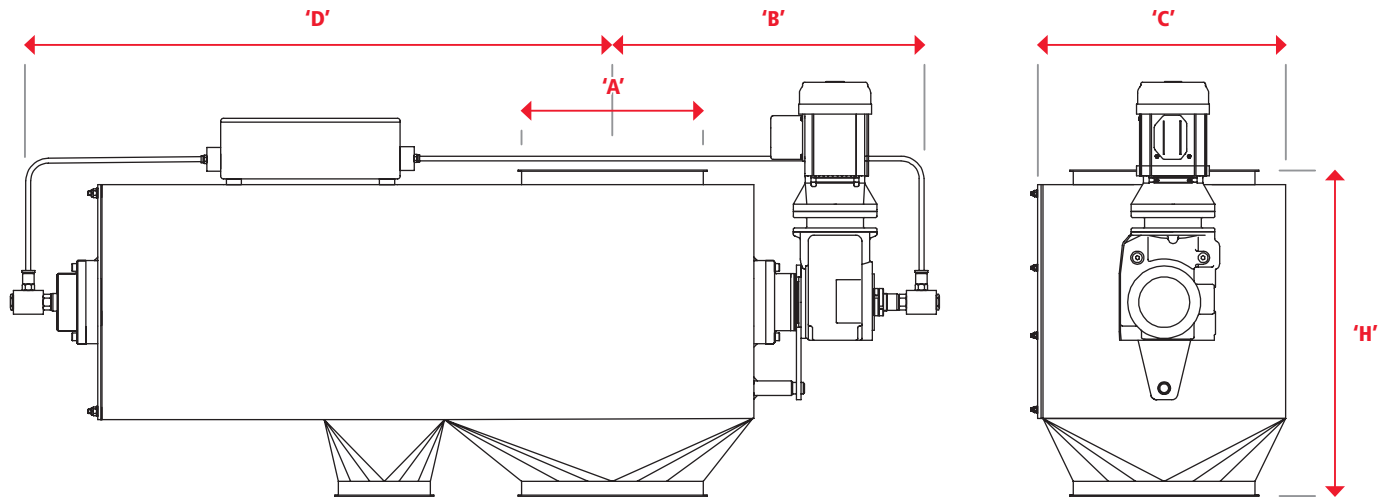
The contamination follows the core, first through the product return chamber, which prevents loss of good product, and into the cleaning chamber, where the collected contamination is deposited. The cleaning chamber is fitted with a transition piece, which allows a collection container to be fitted. This container is removed to assess the collected contamination.

## Options

- Pharmaceutical specification
- Flanged to suit
- Metal detectable seals
- Siemens, Mitsubishi or Allen Bradley PLC



# Auto-Rota Shuttle



Part Number (Round)	Inlet / Outlet A (inches)	B (inches)	C (inches)	D (inches)	H (inches)	kW Rating	Number Of Rods	Weight (lbs)
ASRG150	6	19	10	32	16	0.18	5	198
ASRG200	8	20	12	38	18	0.18	6	232
ASRG250	8	21	14	40	20	0.18	7	265
ASRG300	8	22	16	44	22	0.18	9	298
ASRG350	14	23	18	48	24	0.25	10	331
ASRG400	16	24	20	52	26	0.25	13	364
ASRG450	18	25	22	56	28	0.25	15	397

Part Number (Square)	Inlet / Outlet A (inches)	B (inches)	C (inches)	D (inches)	H (inches)	kW Rating	Number Of Rods	Weight (lbs)
ASRG1515	6 x 6	19	10	32	16	0.18	5	194
ASRG2020	8 x 8	20	12	38	18	0.18	6	220
ASRG2525	10 x 10	21	14	40	20	0.18	7	247
ASRG3030	12 x 12	22	16	44	22	0.18	9	278
ASRG3535	14 x 14	23	18	48	24	0.25	10	313
ASRG4040	16 x 16	24	20	52	26	0.25	13	342
ASRG4545	18 x 18	25	22	56	28	0.25	15	370

For non-standard sizes, please contact [sales@eclipsetoolsinc.com](mailto:sales@eclipsetoolsinc.com)

If you have any more questions, require technical assistance or would like a quotation, please contact us.

[www.eclipsetoolsinc.com](http://www.eclipsetoolsinc.com)

## Eclipse Tools North America Inc.

442 Millen Road, Unit 9, Stoney Creek, Ontario, L8E 6H2, Canada

T 1-800-260-2124 F 1-800-260-1410

[sales@eclipsetoolsinc.com](mailto:sales@eclipsetoolsinc.com) [www.eclipsetoolsinc.com](http://www.eclipsetoolsinc.com)

While every effort has been made to ensure the accuracy of the information in this publication please note that specifications may change without notice.



A world leader in magnetic technology

